

Limited Lifetime Warranty

Ergocraft Contract Solutions warrants to the original purchaser that all products are free from defects in materials and workmanship under normal use as described below. Ergocraft Contract Solutions will repair or replace, at its option, to the original purchaser only, defective products or parts for a period of time from the date of purchase.

"Defects" as used in this warranty, is defined as any imperfections which impair the use of the furniture or product. Ergocraft Contract Solutions will repair or replace, at its option, without charge to the original purchaser only. This warranty is subject to provisions below. There are no other warranties except as expressly set forth below, either expressed or implied, including any warranty of merchantability for any particular purpose.

Five Years Warranty:

Glides, casters, user-adjustable work surface mechanisms, laminates, veneer finishes, and other materials, which cover your Ergocraft Contract Solutions products.

Color Variations & Finishes

Some natural variations occurring in wood, leather, or other natural materials are inherent to their character, and cannot be avoided. Therefore they are not considered defects in material or workmanship and are not the basis for a warranty claim. Ergocraft Contract Solutions does not warrant the color-fastness or matching of colors or grains or textures of such materials. Customer's own materials (COM) selected by and used at the request of a customer, are not warranted.

Replacement parts can only be supplied if parts are available. Items out of production may be unavailable. This warranty shall be effective for the applicable time period beginning from date of purchase as shown on your original sales receipt. Ergocraft's obligation under this warranty is limited to repairing or replacing products or parts as provided herein. This product has been designed for and is intended for residential use only. This warranty is Original Purchaser's sole remedy for product defects, and this warranty does not extend to any product, or damage to any product, caused by or attributable to abuse or misuse, neglect, alteration, or damage caused by shipment, storage, accident, fire, flood or any acts of God, products used for commercial or rental purposes, use modification of, or attachments to the product, and products or parts not used, maintained, or installed in accordance with the company's installation, maintenance and/or applicable guidelines. Ergocraft Contract Solutions will not be responsible for indirect, special, incidental or consequential damages.

This warranty is limited to merchandise purchased in the United States. Some states do not allow the exclusion or limitation of incidental or consequential damages, so the above limitations or exclusions may not apply to you. This warranty gives you specific legal rights. You may also have other rights which may vary from state to state. Ergocraft Contract Solutions will advise you of the procedure to follow in making warranty claims.

This warranty shall not cover labor or delivery charges. There are no other warranties expressed or implied other than those specifically described. Ergocraft Contract Solutions shall NOT be liable for consequential or incidental damage arising from any product defects.

10730 Bell Ct. Rancho Cucamonga, CA 91730 Tel: (866) 606-7888 Fax: (909) 373-2809
www.ergocraftusa.com

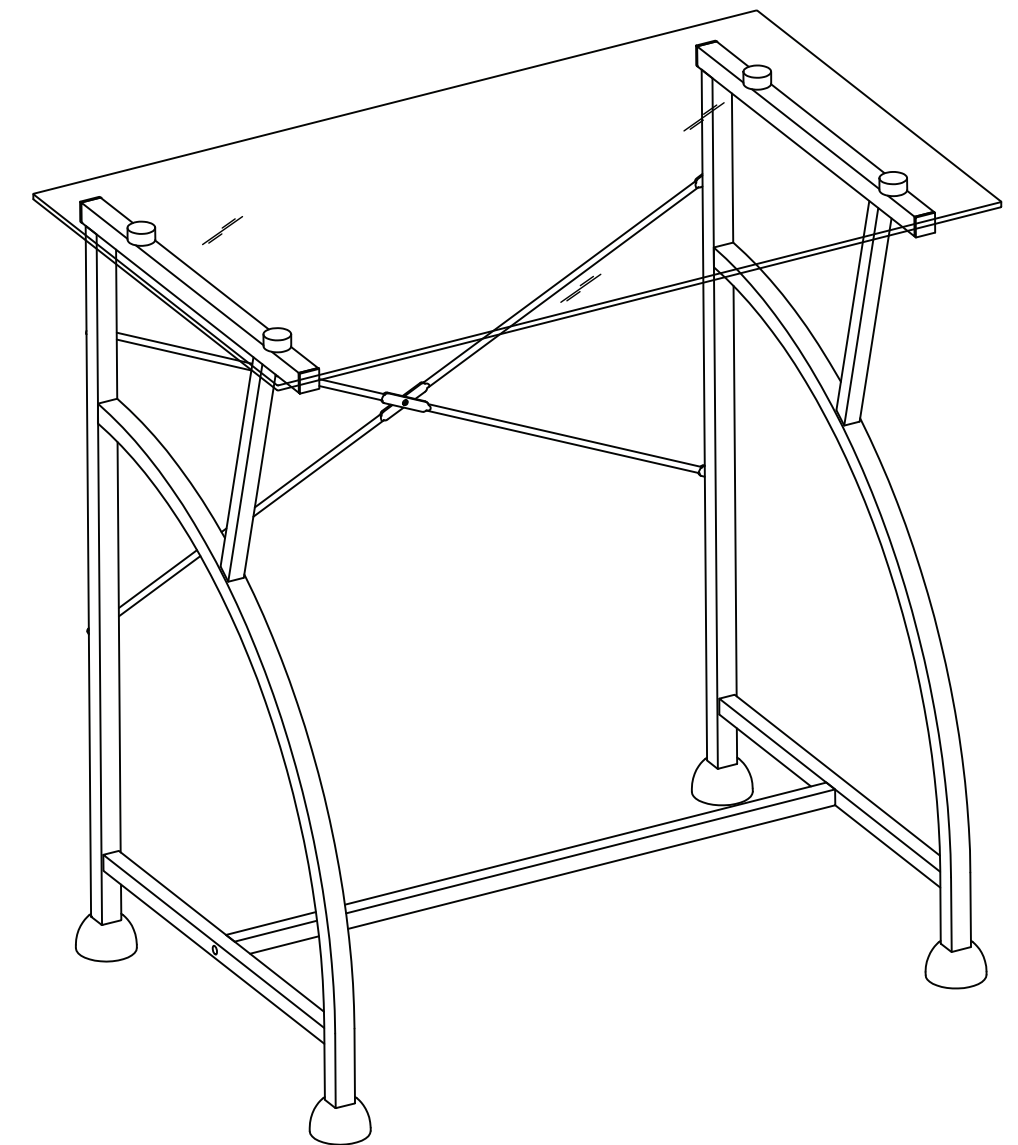
Ergocraft
Contract
Solutions

www.ergocraftusa.com

Assembly Instructions

Computer Cart with Printed Black Glass Top

Model# C-0769G



Do not return to store. For product support, please call toll free 866-606-7888

Computre Cart with Printed Black Glass Top

Model# C-0769G

Step 4

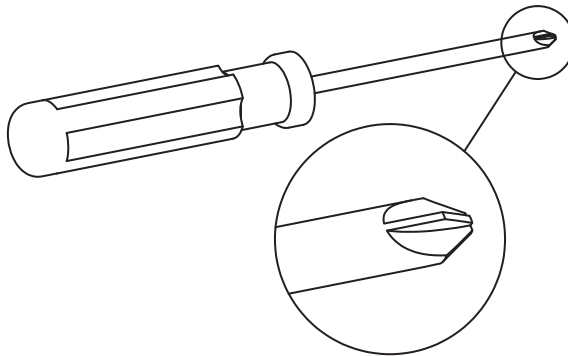
Before You Begin

Read through instructions from beginning to end before starting to assemble unit. Identify all parts and hardware.

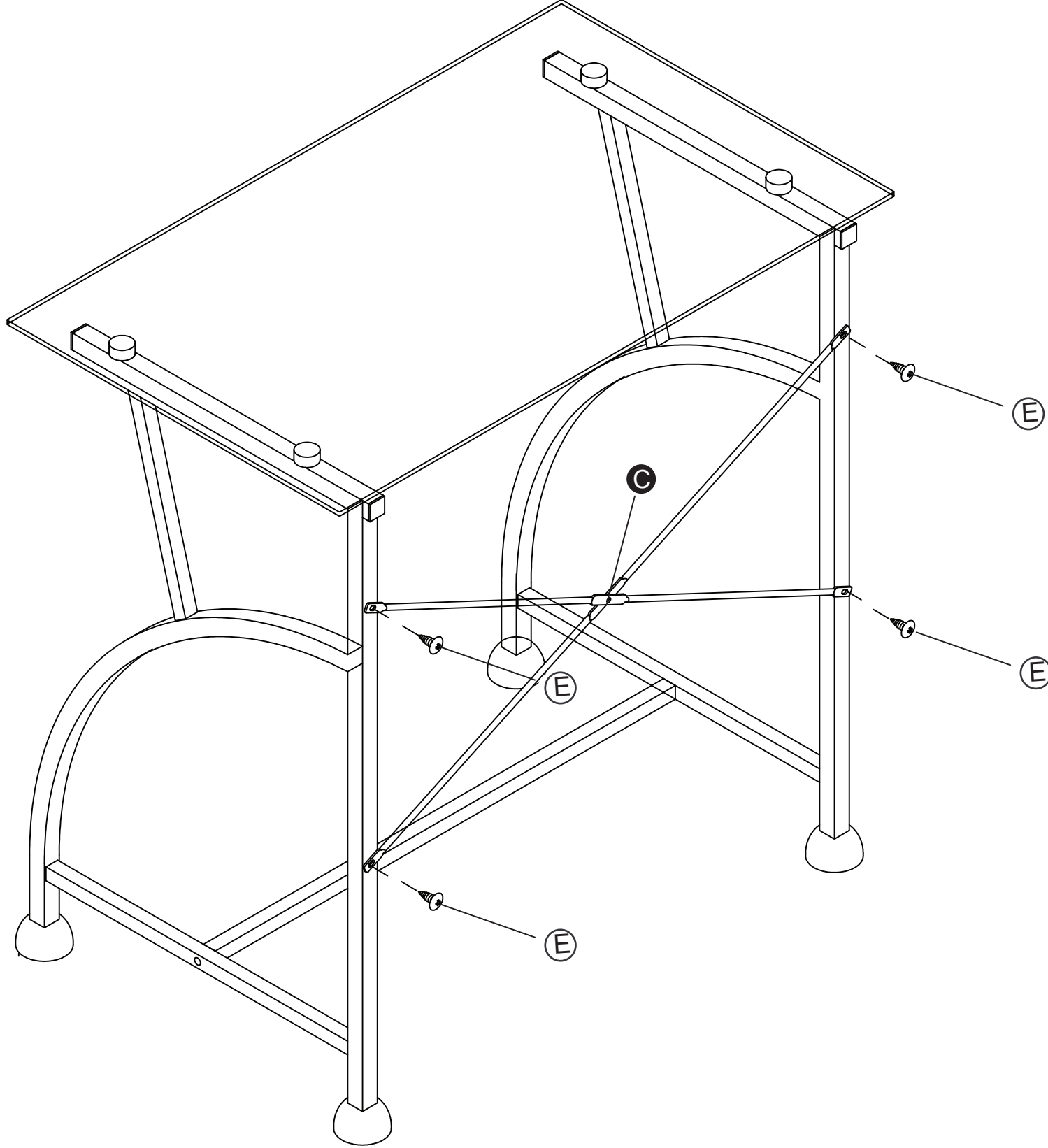
When laying out furniture parts, place them on a clean, dry and soft surface to prevent scratching.

Caution: Only one person is required for the assembly of this product; however on one or more steps, you may need a second person to assist.

Tools Needed / **WARNING:** Hand tools should always be used to assemble your furniture to avoid damage to the furniture. Use of power tools may strip or damage the parts. Use power tools in **ONLY** those assembly steps where instructed to use power tools.



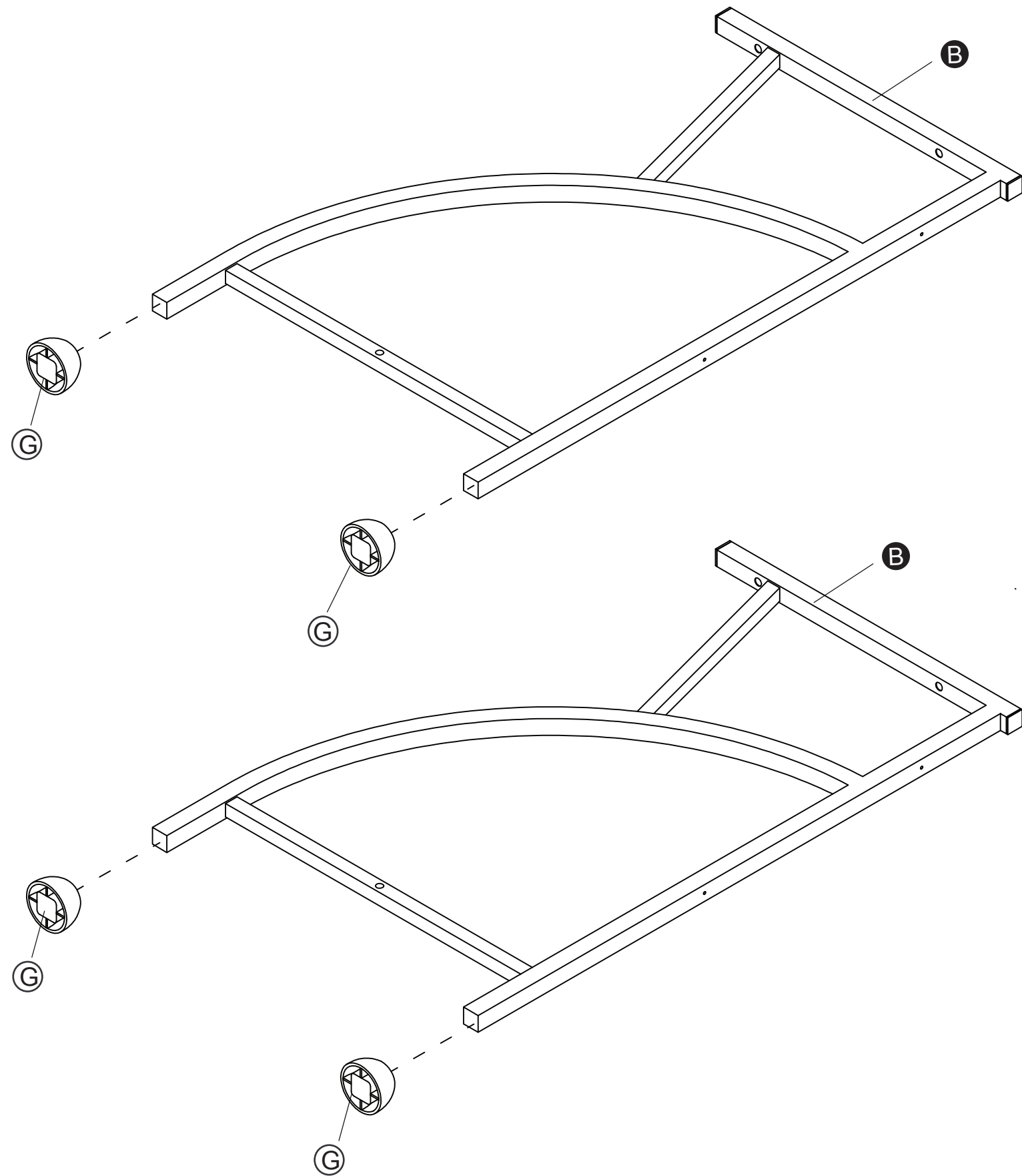
Phillips Screwdriver (not included)



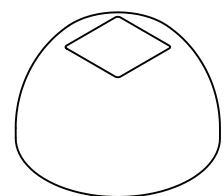
ⓔ M4*12 Screws (x 4)



Step 1

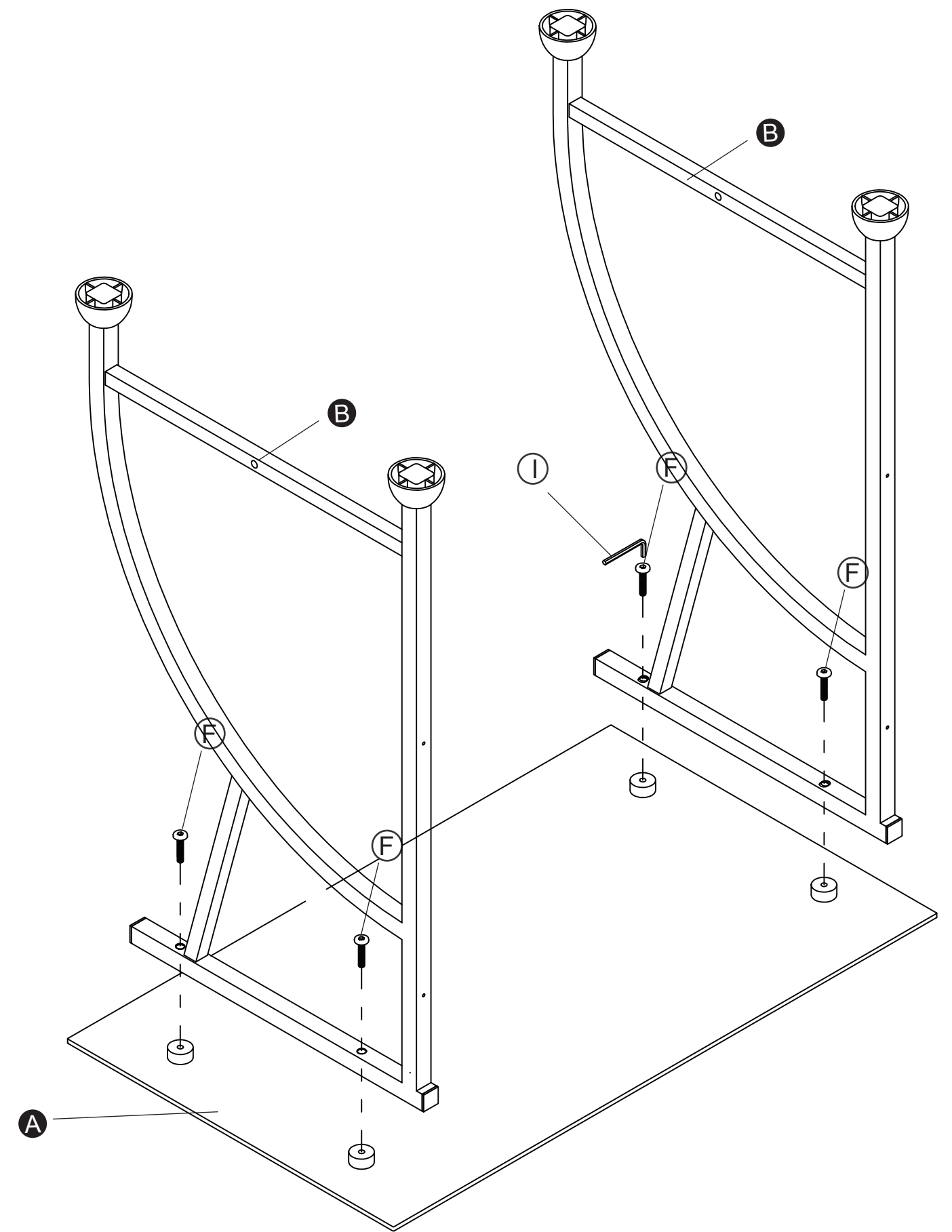


Ⓒ Glide (x 4)

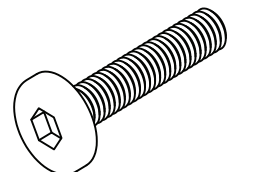


Note: Do not tighten screws until all screws have been started.

Step 2

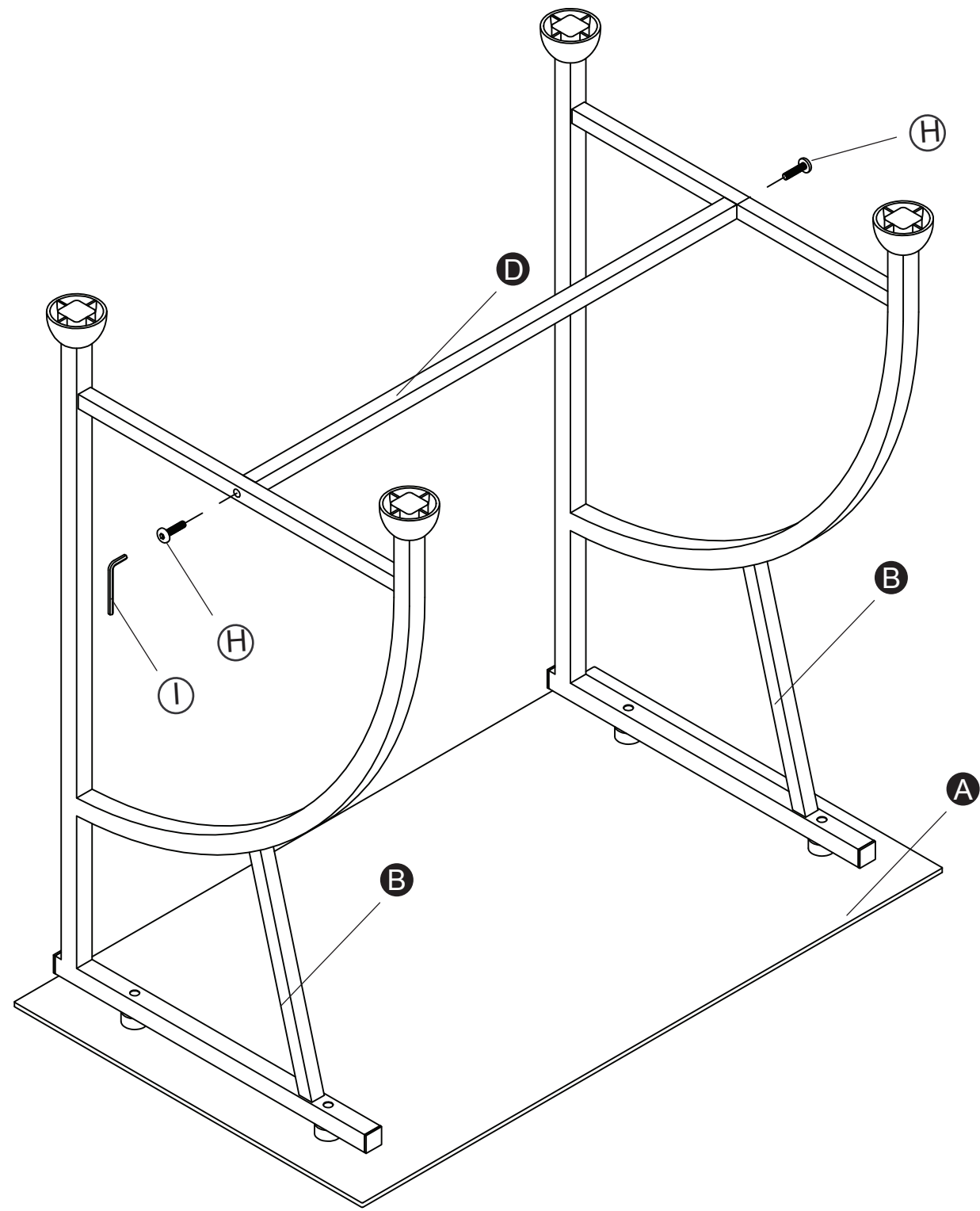


Ⓕ M6*25 Screws (x 4)

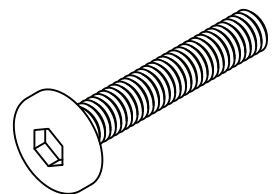


Note: Do not tighten screws until all screws have been started.

Step 3

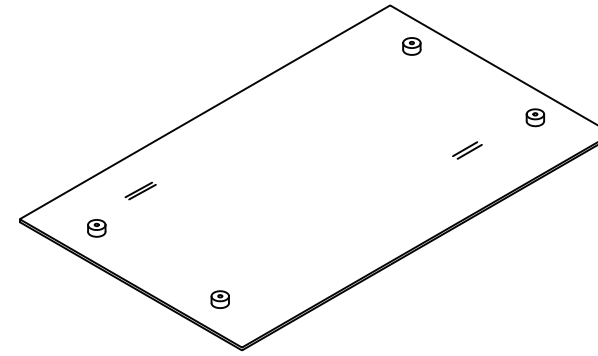


H M6**35 Screws (x 2)

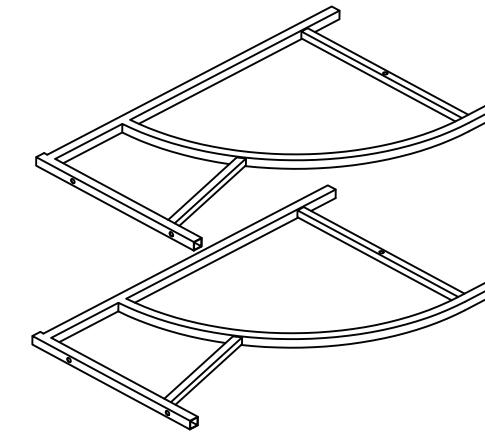


Identify all the components

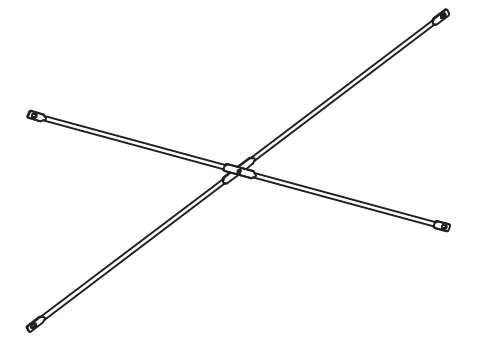
A Glass Top (x 1)



B Frame (x 2)



C Cross Bar (x 1)

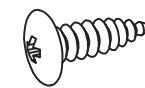


D Connecting Bar (x 1)

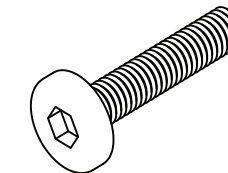


Identify all the components

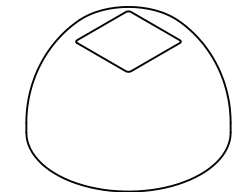
E M4*12 Screws (x 4)



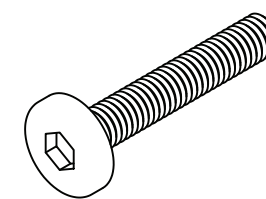
F M6**25 Screws (x 4)



G Glide (x 4)



H M6**35 Screws (x 2)



I Allen Wrench (x 1)



Note: Do not tighten screws until all screws have been started.