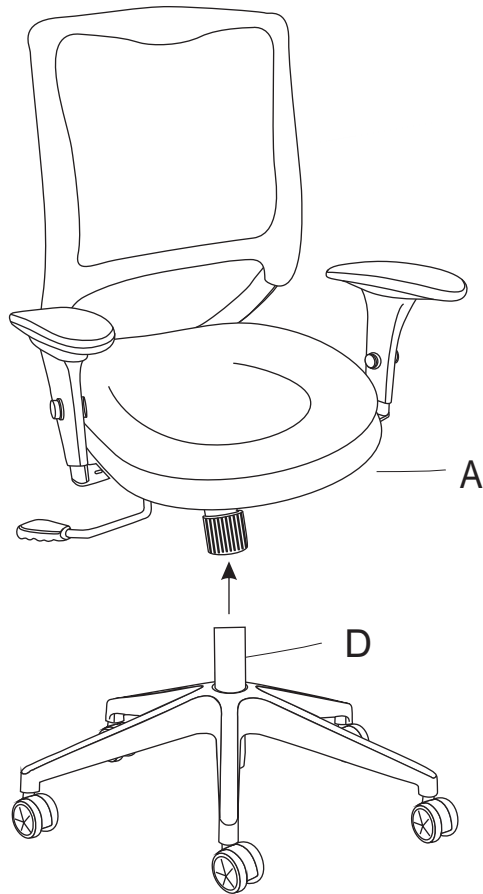


5

Step

Once the back is properly and securely attached, place the seat and back over the pneumatic cylinder (D) by aligning the hole on the mechanism to the cylinder. Sit on the chair to apply pressure to the attachment between the cylinder and the seat.



Assembly

Instructions

Mesh Task/Conference Chair





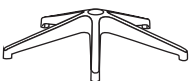

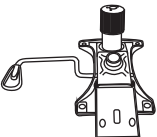
ECO7.1







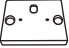

Need help? Please call 866-606-7888



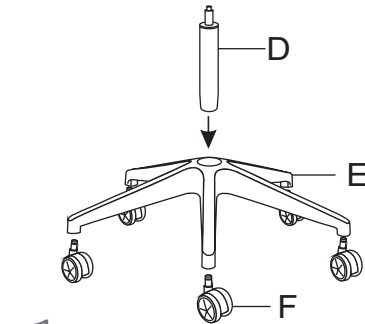
Identify all the components

| | | | |
|--|--|---|--|
| <p>A. Seat Cushion - 1PC</p>  | <p>B. Backrest - 1PC</p>  | <p>C. Arms - 1Set</p>  | <p>D. Pneumatic Cylinder 1PC</p>  |
| <p>E. Base - 1PC</p>  | <p>F. Castor - 5PCS</p>  | <p>G. Mechanism - 1PC</p>  | |

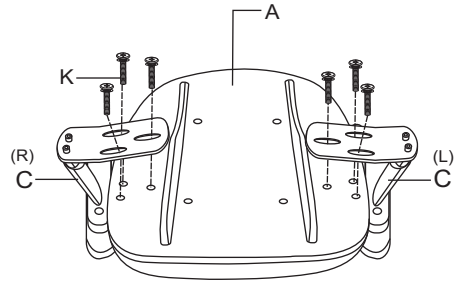
Hardware identification

| | | | | |
|--|---|---|---|---|
| <p>I. Screw-3PCS 5/16*1"</p>  | <p>J. Screw-4PCS 1/4*1 3/4"</p>  | <p>K. Screw-6PCS 1/4*1 1/2"</p>  | <p>L. Allen key-1PC</p>  | <p>M.P.P. CAP-1PC</p>  |
| <p>N. 14MM Spacer-4PCS</p>  | | | | |

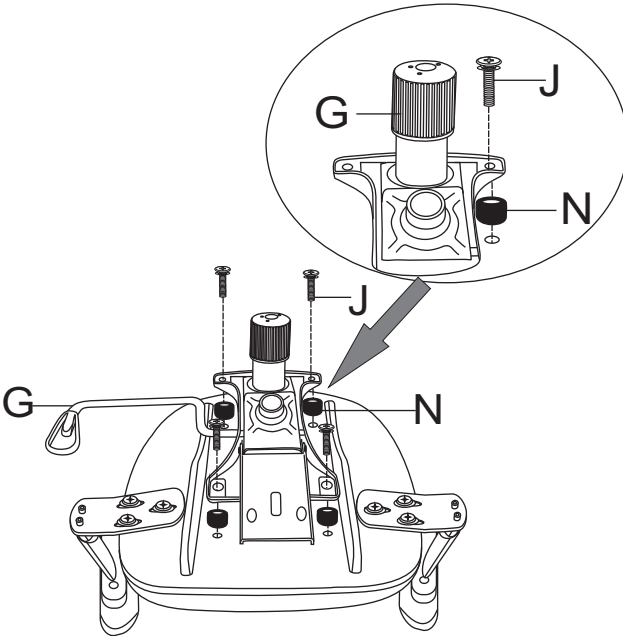
Steps



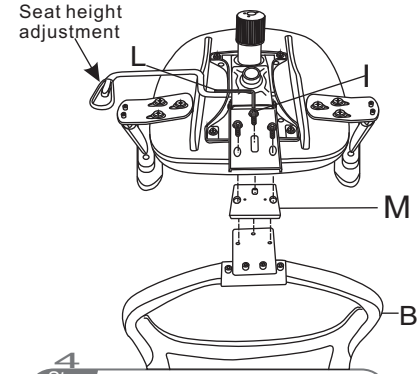
1 Step
Set the base (E) upside down, insert castors (F). Flip the base (E) upright, insert the pneumatic cylinder (D) into the center hole on the base (E).



2 Step
Attach the arms (C) with screws (K). Please make sure that the left and right arms are attached in the right direction as illustrated with "L" for left and "R" for right.



3 Step
Secure mechanism (G) with Screws (J) and Spacer (N) as illustrated above.



4 Step
Attach the backrest (B)&(M) to the seat with screws (I) using Allen Key (L) supplied.