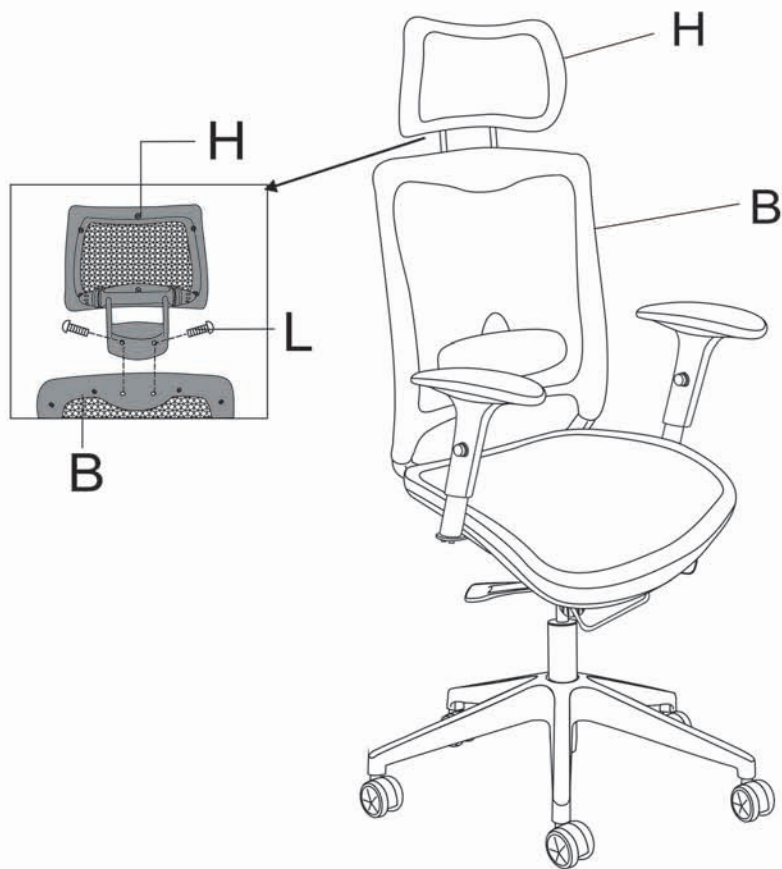


## Steps

Step 6

1. To install the headrest (H), first remove the cap on the headrest bracket.
2. Secure the headrest with two screws (L).



Ergocraft  
Contract  
Solutions

[www.ergocraftusa.com](http://www.ergocraftusa.com)

All Mesh Chair

ECO8.8



Assembly

# Instructions

## Identify all the components

- A. Seat Cushion - 1PC    B. Backrest - 1PC    C. Arms - 1Set    D. Pneumatic Cylinder 1PC



- E. Base - 1PC    F. Castor - 5PCS    G. Mechanism - 1PC    H. Headrest - 1PC (optional)

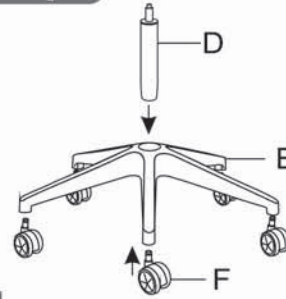


## Hardware identification

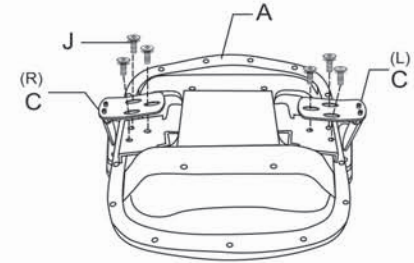
- I. Screw-3PCS 5/16\*5/8"    J.Screw-10PCS 1/4\*1"    K. Allen key-1PC    L. Headrest screws -2PCS (optional)



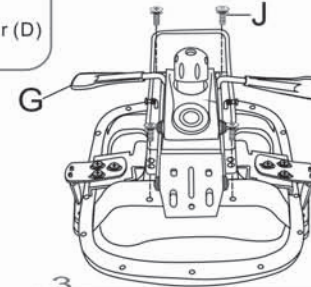
## Steps



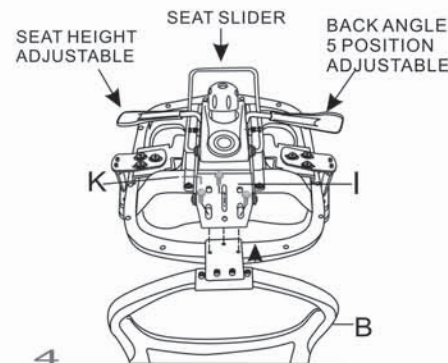
**1 Step**  
Set the base (E) upside down, insert castors (F). Flip the base (E) upright, insert the pneumatic cylinder (D) into the center hole on the base (E).



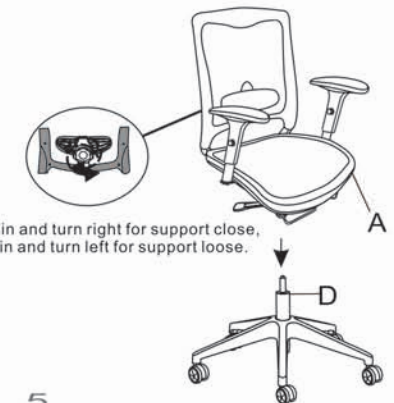
**2 Step**  
Attach the arms (C) with screws (J). Please make sure that the left and right arms are attached in the right direction as illustrated with "L" for left and "R" for right.



**3 Step**  
Secure mechanism (G) with screws (J).



**4 Step**  
Attach the backrest (B) to the seat with screws (I) using Allen Key (K) supplied.



Push in and turn right for support close, push in and turn left for support loose.

**5 Step**  
Once the back is properly and securely attached, place the seat and back over the pneumatic cylinder (D) by aligning the hole on the mechanism to the cylinder. Sit on the chair to apply pressure to the attachment between the cylinder and the seat.