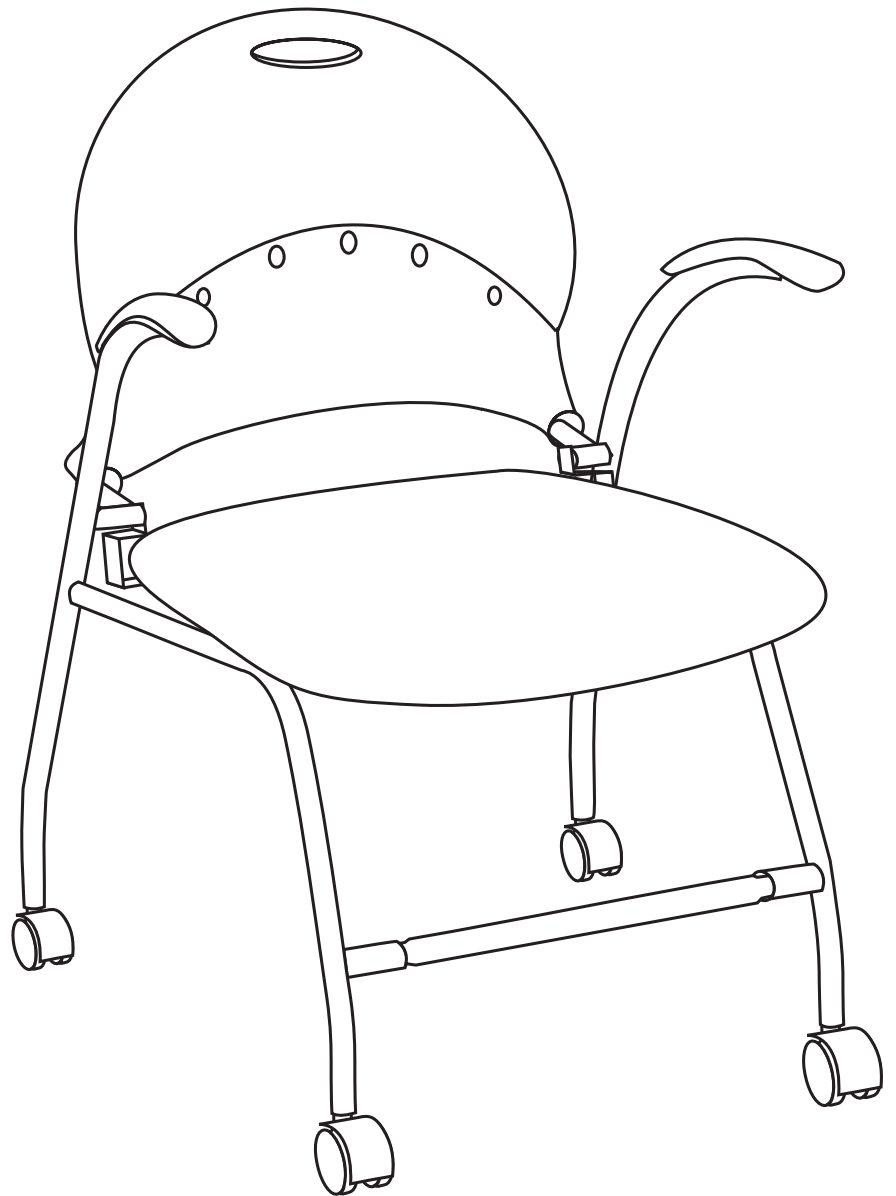


[www.ergocraftusa.com](http://www.ergocraftusa.com)

Prestige Seating Assembly  
**Instructions**

# Lester Chair with arm







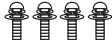

Model # PS-1310A



# Lester Chair with arm

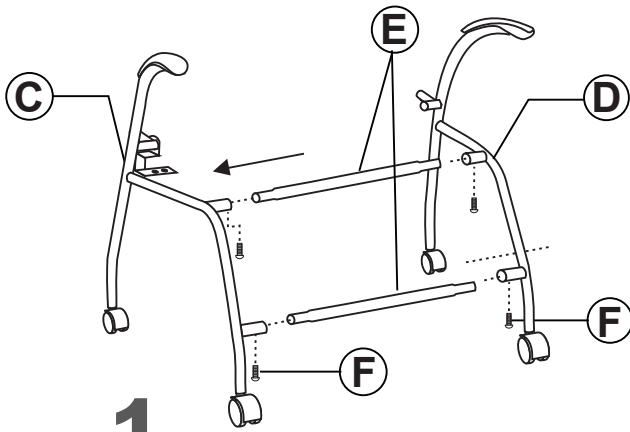
Model # PS-1310A

## Parts List

A. Back	B. Seat Cushion	C. Right Arm	D. Left Arm	E. Crossbar	F. Bolt	G. Bolt	H. Screw
							
1PC	1PC	1PC	1PC	2PCS	4PCS	4PCS	2PCS

## Steps

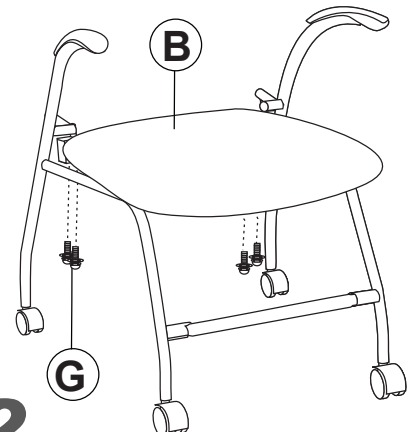
**Attention: In order for the screws to be set firmly, it is recommended that the screws are to be serviced every five month simply by tightening them.**



**1**

**STEP**

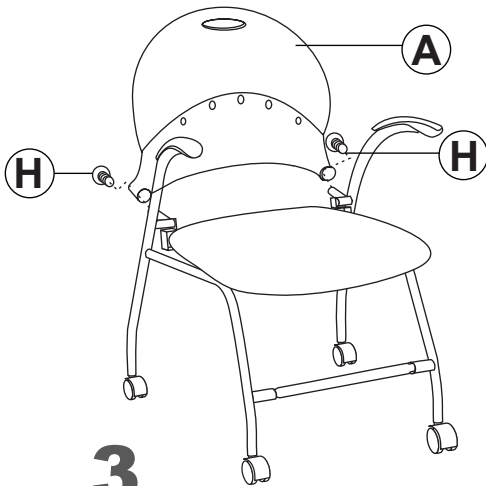
Attach arms (C) and (D) to crossbar (E) using bolts (F).



**2**

**STEP**

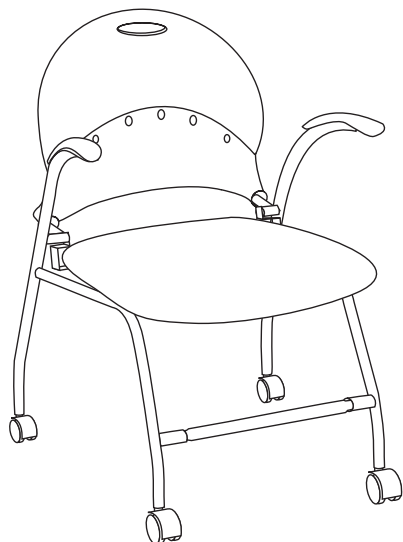
Attach seat cushion (B) to legs using bolt (G).



**3**

**STEP**

Attach back (A) to arms using screw (H).



## WARRANTY

Ergocraft Contract Solutions (ECS) is warranted to the original purchaser for a period of one year from the date of purchase against defects in the material or workmanship as to the chair components. The word "defects," as used in this warranty, is defined as imperfections which impair the utility of the product. This warranty is expressly limited to the replacement of chair components having defects. If the chair component is defective within the terms of the warranty, ECS will furnish a replacement chair component at no cost. No assembly labor is included.

15 year limited warranty, which includes 15 years on structure, 7 years on pneumatic height adjuster, 5 years on control mechanisms and all adjustable parts, 5 years on castors, bases and arm kits 3 years on all remaining components under normal use.

\*\* Normal use as defined under this warranty is the wear and tear that occurs during a 40 hour work week when the product is used by a person weighing 250 pounds or less. Ergocraft will not warrant any altered components or parts.